

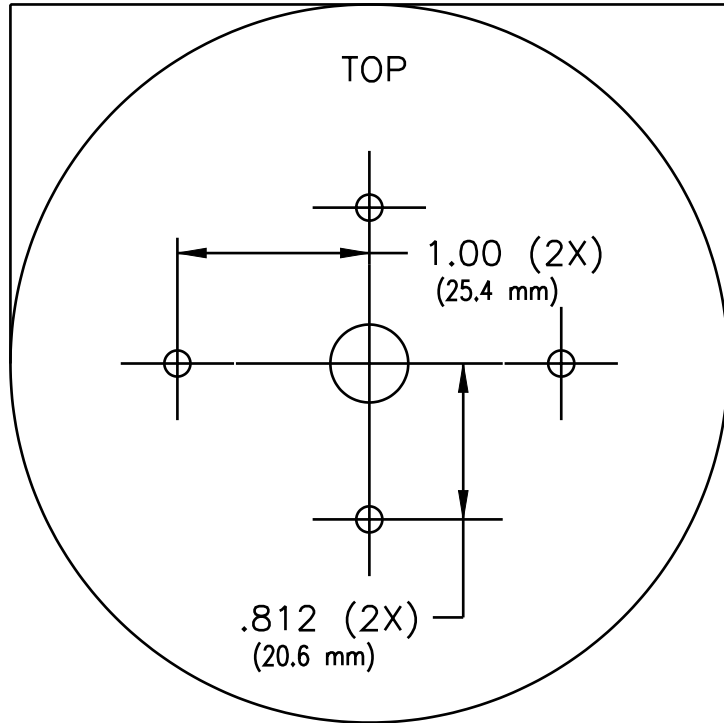
X-09™ Series Templates

Round Mounting Template

This template is provided at actual size for your convenience of installation.

For additional assistance call our Technical Support staff at 800-950-4744

Large Hole -.375 (9.53mm) Min.
- .406 (10.32mm) Recommended
Small Hole - Drill and Tap:
English: #8 - 32
Metric: M4X0.7



Box Template

This template is provided at actual size for your convenience of installation.

For additional assistance call our Technical Support staff at 800-950-4744

Large Hole -.375 (9.53mm) Min.
- .406 (10.32mm) Recommended
Small Hole - Drill and Tap:
English: 1/4-20
Metric: M6X1

