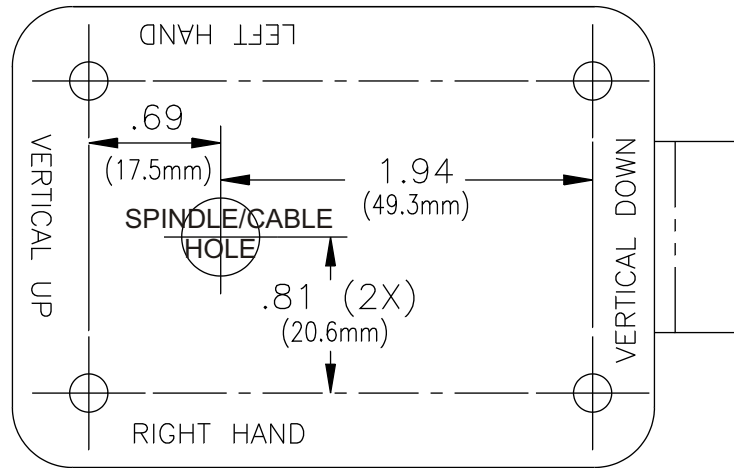


LOCK CASE MOUNTING TEMPLATE

ENGLISH - 1/4-20

METRIC - M6-1

DRILL AND TAP TO 3/8" or 9.5mm DEPTH
(MIN. 1/4" or 6.4mm)



SPINDLE / CABLE HOLE

DRILL AND DEBURR:

.406 (10.3mm) MIN.

.406 (10.3mm) RECOMMENDED

.438 (11.1mm) MAX.

DIAL RING / FRONT HOUSING BASE MOUNTING TEMPLATE

ENGLISH - #8-32

METRIC - M4-0.7

DRILL AND TAP TO 3/8" or 9.5mm DEPTH
(MIN. 1/4" or 6.4mm)

