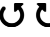


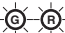


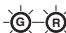


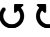




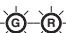
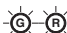
Tear Me Out!

Auditcon® 2 Series  
Quick Reference Cards  
for Models 252 & 552  
can also be found in PDF format  
on the Kaba Mas web site:  
[www.kaba-mas.com](http://www.kaba-mas.com)

1. Power  the lock. 
2. Press # and then 1. 
3. Enter combination (User ID + PIN) of user for which PIN is to be changed. 
4. Enter new combination (User ID + PIN) for user. 
5. Enter new combination (User ID + PIN) again for verification.  
 

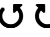





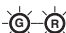
Document # 3037.074 Rev. B 07/06

User Card

1. Power  the lock. 
2. Press # and then 1. 
3. Enter combination (User ID + PIN) of user for which PIN is to be changed. 
4. Enter new combination (User ID + PIN) for user. 
5. Enter new combination (User ID + PIN) again for verification.  
 

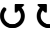


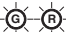

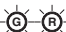
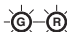
Document # 3037.074 Rev. B 07/06

User Card

1. Power  the lock. 
2. Press # and then 1. 
3. Enter combination (User ID + PIN) of user for which PIN is to be changed. 
4. Enter new combination (User ID + PIN) for user. 
5. Enter new combination (User ID + PIN) again for verification.  
 

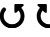


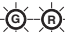

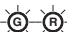
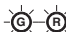
Document # 3037.074 Rev. B 07/06

User Card

1. Power  the lock. 
2. Press # and then 1. 
3. Enter combination (User ID + PIN) of user for which PIN is to be changed. 
4. Enter new combination (User ID + PIN) for user. 
5. Enter new combination (User ID + PIN) again for verification.  
 

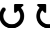


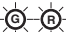
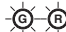
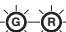
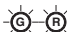
Document # 3037.074 Rev. B 07/06

User Card

1. Power  the lock. 
2. Press # and then 1. 
3. Enter combination (User ID + PIN) of user for which PIN is to be changed. 
4. Enter new combination (User ID + PIN) for user. 
5. Enter new combination (User ID + PIN) again for verification.  
 

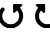

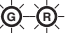



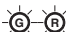
Document # 3037.074 Rev. B 07/06

User Card

1. Power  the lock. 
2. Press # and then 1. 
3. Enter combination (User ID + PIN) of user for which PIN is to be changed. 
4. Enter new combination (User ID + PIN) for user. 
5. Enter new combination (User ID + PIN) again for verification.  
 

Document # 3037.074 Rev. B 07/06


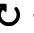









User Card

1. Power  the lock. 
2. Press # and then 1. 
3. Enter combination (User ID + PIN) of user for which PIN is to be changed. 
4. Enter new combination (User ID + PIN) for user. 
5. Enter new combination (User ID + PIN) again for verification.  
 

Document # 3037.074 Rev. B 07/06

User Card












**KABA<sup>®</sup> MAS** Auditcon<sup>®</sup> 2 Series - Models 252 & 552  
TO UNLOCK/LOCK

1. Power   the lock.   
2. For Dead Bolt (DB), place dial in the HOME position (i.e., red bar covered) and enter combination.
  - Single User access mode - For DB - One slow  displays.  
For Slide Bolt (SB) - Green flashes ... display for 5 sec.
  - Dual User access mode -    
Enter second combination. For DB - One slow  displays.  
For Slide Bolt (SB) - Green flashes ... display for 5 sec.
4. For DB, dial right (CW) until lock bolt is retracted.  
For SB, rotate container handle.
5. To lock DB, dial left (CCW) to extend bolt.  
To lock SB, close container and rotate container handle to closed.

Customer Service: 1-800-950-4744

[www.kaba-mas.com](http://www.kaba-mas.com)












**KABA<sup>®</sup> MAS** Auditcon<sup>®</sup> 2 Series - Models 252 & 552  
TO UNLOCK/LOCK

1. Power   the lock.   
2. For Dead Bolt (DB), place dial in the HOME position (i.e., red bar covered) and enter combination.
  - Single User access mode - For DB - One slow  displays.  
For Slide Bolt (SB) - Green flashes ... display for 5 sec.
  - Dual User access mode -    
Enter second combination. For DB - One slow  displays.  
For Slide Bolt (SB) - Green flashes ... display for 5 sec.
4. For DB, dial right (CW) until lock bolt is retracted.  
For SB, rotate container handle.
5. To lock DB, dial left (CCW) to extend bolt.  
To lock SB, close container and rotate container handle to closed.

Customer Service: 1-800-950-4744

[www.kaba-mas.com](http://www.kaba-mas.com)












**KABA<sup>®</sup> MAS** Auditcon<sup>®</sup> 2 Series - Models 252 & 552  
TO UNLOCK/LOCK

1. Power   the lock.   
2. For Dead Bolt (DB), place dial in the HOME position (i.e., red bar covered) and enter combination.
  - Single User access mode - For DB - One slow  displays.  
For Slide Bolt (SB) - Green flashes ... display for 5 sec.
  - Dual User access mode -    
Enter second combination. For DB - One slow  displays.  
For Slide Bolt (SB) - Green flashes ... display for 5 sec.
4. For DB, dial right (CW) until lock bolt is retracted.  
For SB, rotate container handle.
5. To lock DB, dial left (CCW) to extend bolt.  
To lock SB, close container and rotate container handle to closed.

Customer Service: 1-800-950-4744

[www.kaba-mas.com](http://www.kaba-mas.com)

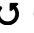










**KABA<sup>®</sup> MAS** Auditcon<sup>®</sup> 2 Series - Models 252 & 552  
TO UNLOCK/LOCK

1. Power   the lock.   
2. For Dead Bolt (DB), place dial in the HOME position (i.e., red bar covered) and enter combination.
  - Single User access mode - For DB - One slow  displays.  
For Slide Bolt (SB) - Green flashes ... display for 5 sec.
  - Dual User access mode -    
Enter second combination. For DB - One slow  displays.  
For Slide Bolt (SB) - Green flashes ... display for 5 sec.
4. For DB, dial right (CW) until lock bolt is retracted.  
For SB, rotate container handle.
5. To lock DB, dial left (CCW) to extend bolt.  
To lock SB, close container and rotate container handle to closed.

Customer Service: 1-800-950-4744

[www.kaba-mas.com](http://www.kaba-mas.com)







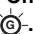




**KABA<sup>®</sup> MAS** Auditcon<sup>®</sup> 2 Series - Models 252 & 552  
TO UNLOCK/LOCK

1. Power   the lock.   
2. For Dead Bolt (DB), place dial in the HOME position (i.e., red bar covered) and enter combination.
  - Single User access mode - For DB - One slow  displays.  
For Slide Bolt (SB) - Green flashes ... display for 5 sec.
  - Dual User access mode -    
Enter second combination. For DB - One slow  displays.  
For Slide Bolt (SB) - Green flashes ... display for 5 sec.
4. For DB, dial right (CW) until lock bolt is retracted.  
For SB, rotate container handle.
5. To lock DB, dial left (CCW) to extend bolt.  
To lock SB, close container and rotate container handle to closed.

Customer Service: 1-800-950-4744

[www.kaba-mas.com](http://www.kaba-mas.com)

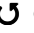





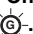




**KABA<sup>®</sup> MAS** Auditcon<sup>®</sup> 2 Series - Models 252 & 552  
TO UNLOCK/LOCK

1. Power   the lock.   
2. For Dead Bolt (DB), place dial in the HOME position (i.e., red bar covered) and enter combination.
  - Single User access mode - For DB - One slow  displays.  
For Slide Bolt (SB) - Green flashes ... display for 5 sec.
  - Dual User access mode -    
Enter second combination. For DB - One slow  displays.  
For Slide Bolt (SB) - Green flashes ... display for 5 sec.
4. For DB, dial right (CW) until lock bolt is retracted.  
For SB, rotate container handle.
5. To lock DB, dial left (CCW) to extend bolt.  
To lock SB, close container and rotate container handle to closed.

Customer Service: 1-800-950-4744

[www.kaba-mas.com](http://www.kaba-mas.com)

**KABA<sup>®</sup> MAS** Auditcon<sup>®</sup> 2 Series - Models 252 & 552  
TO UNLOCK/LOCK

1. Power   the lock.   
2. For Dead Bolt (DB), place dial in the HOME position (i.e., red bar covered) and enter combination.
  - Single User access mode - For DB - One slow  displays.  
For Slide Bolt (SB) - Green flashes ... display for 5 sec.
  - Dual User access mode -    
Enter second combination. For DB - One slow  displays.  
For Slide Bolt (SB) - Green flashes ... display for 5 sec.
4. For DB, dial right (CW) until lock bolt is retracted.  
For SB, rotate container handle.
5. To lock DB, dial left (CCW) to extend bolt.  
To lock SB, close container and rotate container handle to closed.

Customer Service: 1-800-950-4744

[www.kaba-mas.com](http://www.kaba-mas.com)