

# LA GARD

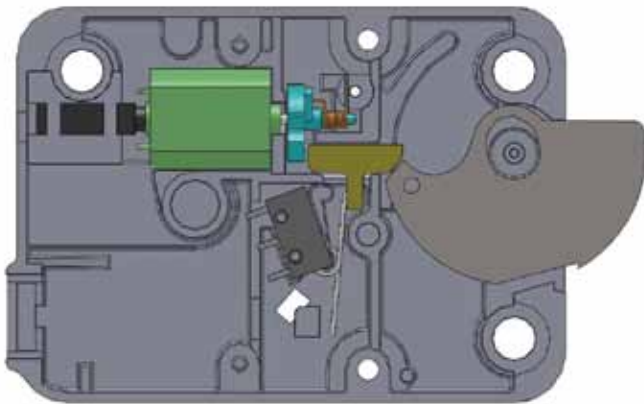
## PRODUCT BULLETIN

**PRODUCT:** SWING BOLT/DEAD BOLT LOCKS  
**BULLETIN:** #LG08  
**DATE:** 10/01/2009

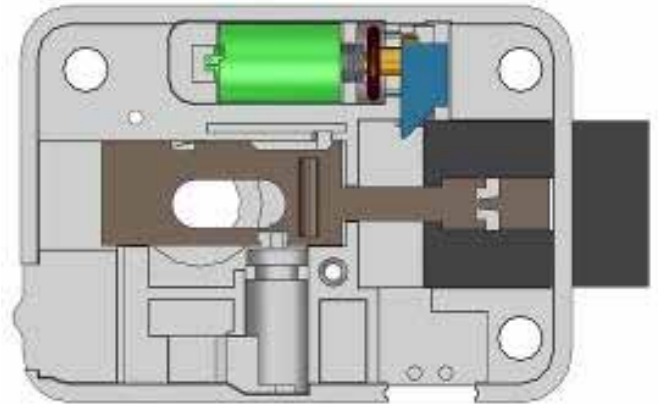
### High Security Locks for Secure Storage Units

VdS has issued Amendment S1 to the Guidelines for Physical Security Devices, standard 2396. To ensure that our products continue to meet or exceed approval agency requirements, various LA GARD brand solenoid locks have been redesigned:

The solenoid locking mechanism in both swing bolt and dead bolt locks has been replaced with a motor. When the bolt is extended, the motor rotates a blocking element into the path of the bolt's movement, preventing the bolt from being retracted. When a valid combination is entered, the motor rotates the blocking element out of the path of the bolt's movement, allowing for bolt retraction by either the dial or the container's boltworks.



Swing Bolt Design



Dead Bolt Design

#### AFFECTED MODELS

##### Series

Basic (3802)  
Combogard Pro (39E)  
Auditgard (66E)

##### Solenoid

4200, 3740-2  
4300002U, 6040002U  
4300, 6040DB

##### Motor Blocking

4200M, 3740M  
4300M02U, 6040M02U  
4300M, 6040M

No dimensional or operational changes have been made, however, you will notice improved battery sensing and extended battery life.

The new style motor blocking locks will be available beginning January 1, 2010. Please note that solenoid locks will maintain their current VdS listing provided that they were manufactured prior to December 31, 2009. In addition, solenoid locks will continue to carry their EN1300, DNV and UL listings.

The Kaba Safe Lock Division relies on product innovation to meet our markets' ever-changing needs for loss prevention and asset control solutions. The Kaba and LA GARD brands are synonymous worldwide with Security, Control and Accountability.

Kaba Mas • 1-877-KabaMas (522-2627) • 749 W. Short Street • Lexington KY 40508 • [www.kaba-mas.com](http://www.kaba-mas.com)